

EQACC SOLAR

Where is the hybrid energy source for the Russian Bay solar container communication station



Overview

Is solar energy on the verge of a major expansion in Russia?

Solar energy in Russia might be on the verge of a major expansion thanks to a government support program for renewable energy sources, industry experts told The Moscow Times.

Do solar and wind power plants produce electricity in Russia?

The volumes of electrical energy produced in the Russia by solar and wind power plants, as well as their current and prospective role in the energy balances of Russian regions are analyzed.

Could a hybrid solar-diesel power station help Russia's Arctic settlements?

Both Unigreen and HEVEL experts said Russia's many Arctic settlements could benefit from hybrid solar-diesel power stations. These stations would cut costs and solve supply chain and shortage problems. "Most Russian regions have high insolation — above 1,000 — the level required to generate energy," the company said in a statement.

What is Russia's primary source of energy?

Russia, the world's fourth-largest emitter of greenhouse gases, has historically relied on its vast oil and gas reserves to bolster its economy. Solar energy in Russia might be on the verge of a major expansion, thanks to a government support program for renewable energy sources, industry experts told The Moscow Times.

Where is the hybrid energy source for the Russian Bay solar contain



Fuel, fear and falsehoods: Defending Europe and Ukraine from Russia...

Russia is waging a hybrid energy war on Europe and Ukraine, coupling physical attacks with targeted disinformation. The EU must reinforce infrastructure resilience and ...

[Get Price](#)

Unraveling the Solar Container: Future of Renewable Energy

In the contemporary energy landscape, the solar container has emerged as a significant and evolving innovation, gradually shaping the future of energy supply and ...

[Get Price](#)



Container Energy Storage System: All You Need to Know

What is Container Energy Storage? Container energy storage, also commonly referred to as containerized energy storage or container battery storage, is an innovative ...

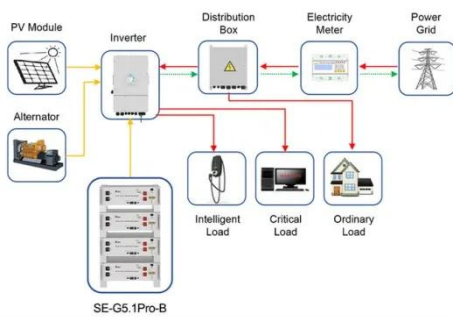
[Get Price](#)

Renewable energy systems in offshore platforms for ...

Recent research also highlights the potential of hybrid renewable energy systems combining, for example, wind and solar energy with advanced storage technologies to address ...

[Get Price](#)

CE UN38.3 MSDS



Application scenarios of energy storage battery products

How Does Russia Use Solar Photovoltaic Containers?

Given the fact that Russia is looking for alternative sources of clean energy, solar photovoltaic containers are a practical and adaptive solution. They are mobile facilities which ...

[Get Price](#)

UNLOCKING OFF-GRID POWER: THE ULTIMATE GUIDE TO SOLAR ENERGY ...

In today's dynamic energy landscape, harnessing sustainable power sources has become more critical than ever. Among the innovative solutions paving the way forward, solar ...

[Get Price](#)



Fuel, fear and falsehoods: Defending Europe ...

Russia is waging a hybrid energy war on



Europe and Ukraine, coupling physical attacks with targeted disinformation. The EU must ...

[Get Price](#)

The Hybrid Solar-RF Energy for Base ...

The sources are combined to provide to a significant amount, to contribute to operational expenditures that reduce energy costs, and to ...

[Get Price](#)



Use of Renewable Energies in Shipping

On-board electrolysis and In-Situ production The production of green hydrogen by onboard electrolysis using renewable energy (wind ...

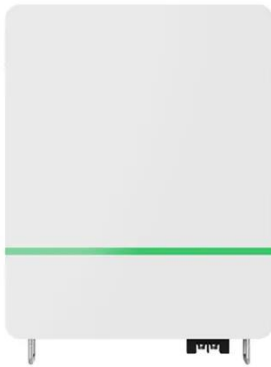
[Get Price](#)

The Advantages and Applications of Solar Power Containers

As the global shift toward renewable energy accelerates, solar technology

continues to evolve and adapt to various use scenarios. Among the most innovative solutions ...

[Get Price](#)



Solarcontainer: The mobile solar system

That is why we have developed a mobile photovoltaic system with the aim of achieving maximum use of solar energy while at the same ...

[Get Price](#)

In Icy Russia, Interest in Solar Power Is Growing

Solar energy in Russia might be on the verge of a major expansion, thanks to a government support program for renewable energy sources, industry experts told The Moscow ...

[Get Price](#)



Hybrid energy supply system based on renewable energy sources

Hybrid systems are becoming increasingly popular in the energy

industry, combining a variety of energy sources to provide a reliable and efficient power supply. The ...

[Get Price](#)



Analysis of hybrid offshore renewable energy sources for ...

...

The overuse of conventional fuels (coal, petroleum products, and gas) for energy generation causes natural resource depletion and global warming. Therefore, the utilization of ...

[Get Price](#)



Solarcontainer: The mobile solar system

That is why we have developed a mobile photovoltaic system with the aim of achieving maximum use of solar energy while at the same time being compact in design, easy ...

[Get Price](#)

Use of Renewable Energies in Shipping

On-board electrolysis and In-Situ

production The production of green hydrogen by onboard electrolysis using renewable energy (wind-solar hybrid) represents an advanced ...

[Get Price](#)



ESR AU& NZ, Solar Bay: Aus-first renewables ...

ESR Australia has partnered with Solar Bay to accelerate the deployment of renewable energy infrastructure across ESR-managed ...

[Get Price](#)

Solar power plants will appear on the roofs of container

Solar power plants will appear on the roofs of container terminals in Irkutsk and Rostov-on-Don. TransContainer and Unigreen Energy signed an agreement on the ...

[Get Price](#)



Solar Energy in Russia: 2023 Growth & Future ...

Russia installed 1.1 GW of solar in 2023, but regulatory and financial barriers remain. Explore the key developments

shaping the ...

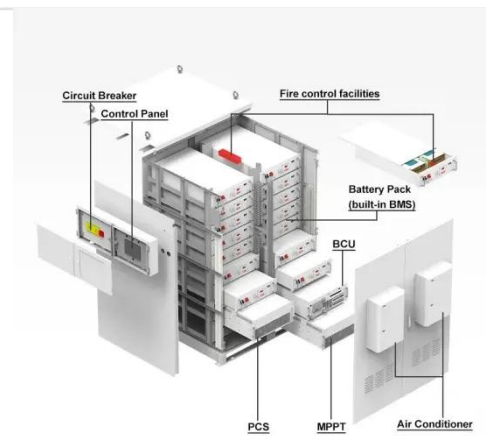
[Get Price](#)



Shipping Container Energy Storage System Guide

Essentially, a shipping container energy storage system is a portable, self-contained unit that provides secure and robust storage for electricity generated from ...

[Get Price](#)



Solar and Wind Energy in the Russian Strategy of Low ...

The volumes of electrical energy produced in the Russia by solar and wind power plants, as well as their current and prospective role in the energy balances of Russian regions ...

[Get Price](#)

Solar Energy in Russia: 2023 Growth & Future Challenges

Russia installed 1.1 GW of solar in 2023, but regulatory and financial barriers remain. Explore the key developments

shaping the future of solar energy in
Russia.

[Get Price](#)



Contact Us

For catalog requests, pricing, or partnerships, please visit:
<https://www.eqacc.co.za>