

EQACC SOLAR

What is the appropriate price for energy storage communication BESS



GEL Battery



Lithium Battery



Container storage system



Power Battery

Overview

Industry data reveals current BESS project costs range between \$280,000 to \$480,000 per MWh installed, depending on configuration and ancillary component. How much does a battery energy storage system cost?

The costs of Battery Energy Storage Systems (BESS), primarily using lithium-ion batteries, are compared to other energy storage technologies below. Cost: The average cost of BESS ranges from \$400 to \$600 per kWh.

How much does a Bess battery cost?

Factoring in these costs from the beginning ensures there are no unexpected expenses when the battery reaches the end of its useful life. To better understand BESS costs, it's useful to look at the cost per kilowatt-hour (kWh) stored. As of recent data, the average cost of a BESS is approximately \$400-\$600 per kWh. Here's a simple breakdown:.

What is a battery energy storage system (BESS)?

BESS stands for Battery Energy Storage Systems, which store energy generated from renewable sources like solar or wind. The stored energy can then be used when demand is high, ensuring a stable and reliable energy supply.

Are battery electricity storage systems a good investment?

This study shows that battery electricity storage systems offer enormous deployment and cost-reduction potential. By 2030, total installed costs could fall between 50% and 60% (and battery cell costs by even more), driven by optimisation of manufacturing facilities, combined with better combinations and reduced use of materials.

What is the appropriate price for energy storage communication BE



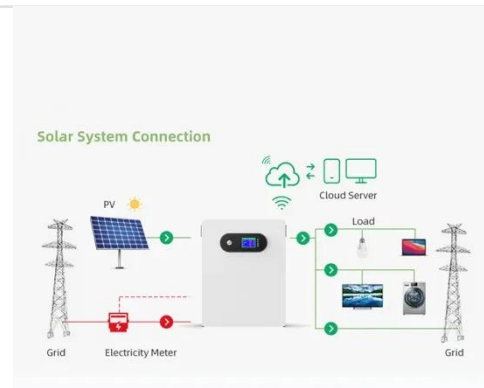
BESS Costs Analysis: Understanding the True Costs of Battery Energy

Battery Energy Storage Systems (BESS) are becoming essential in the shift towards renewable energy, providing solutions for grid stability, energy management, and ...

[Get Price](#)

A review of battery energy storage system for renewable energy

This review establishes a comprehensive development framework for Battery Energy Storage Systems (BESS) integration into electrical power systems to enhance ...



[Get Price](#)



How do the costs of battery energy storage systems (BESS)

...

The costs of Battery Energy Storage Systems (BESS), primarily using lithium-ion batteries, are compared to other energy storage technologies below. Comparison Overview ...

[Get Price](#)

How do the costs of battery energy storage ...

The costs of Battery Energy Storage Systems (BESS), primarily using lithium-ion batteries, are compared to other energy ...

[Get Price](#)



Highvoltage Battery



Understanding BESS Price per MWh in 2025: Market Trends and Cost

Understanding BESS Price per MWh in 2025: Market Trends and Cost Drivers
When evaluating battery energy storage system (BESS) prices per MWh, think of it like buying a high ...

[Get Price](#)

Global Energy Storage Pricing Trends

Global Energy Storage Pricing Trends - Market Forces, Pricing Trends, and Future Innovations in Energy Storage: Global Forecasts and Analysis, 2025-2034 - Global demand ...

[Get Price](#)



What is a BESS Container? The Heart of ...

What is a BESS container? How they

enable scalable, safe, and efficient energy storage--powered by DC components for grid and ...

[Get Price](#)



BESS Price Data , Pexapark

Are You Exploring BESS? Negative pricing and low capture rates are eroding revenues, making energy storage key to optimizing returns. But unlocking value from BESS requires real market ...

[Get Price](#)



BMS, PCS, and EMS in Battery Energy Storage ...

Explore the essential components of Battery Energy Storage Systems (BESS): BMS, PCS, and EMS. Learn their functions, integration, ...

[Get Price](#)

Battery Energy Storage Systems (BESS) , What ...

Want to know more about battery energy storage systems? This article tackles what you need to know, from

how they work to their ...

[Get Price](#)



Battery Energy Storage Factsheets

Battery Energy Storage Systems (BESS)
What is BESS? Similar to the batteries that power your phone, computer, and other electronics, large-scale energy storage systems are used to ...

[Get Price](#)

BESS eskom brochure RGB 8 Nov

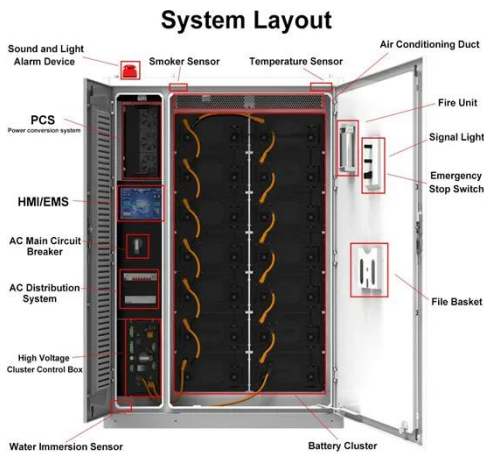
BESS, or Battery Energy Storage Systems, stores electricity in batteries for on-demand power supply. The phrase "battery system" encompasses battery design, ...

[Get Price](#)



Communication for battery energy storage systems ...

Communication with a battery energy storage system or BESS that is compliant with this protocol is not yet state-of-the-



art but will be necessary in the future [15], [16], [17]. The ...

[Get Price](#)

6 Emerging Revenue Models for BESS: A 2025 Profitability

...

Discover how commercial BESS monetizes peak shaving, ancillary services, and carbon credits. Learn ROI drivers for energy storage systems in C&I applications.



[Get Price](#)



Battery storage definitions: a glossary of BESS ...

This dictionary covers terminology, definitions, and abbreviations related to battery storage and battery optimization.

[Get Price](#)

Battery Energy Storage System (BESS) Costs ...

Battery Energy Storage Systems (BESS) are now central to the effective

integration of renewable energy sources.
As prices evolve, ...

[Get Price](#)



What Is BESS? a Comprehensive Overview of ...

BESS, short for Battery Energy Storage System, is an advanced energy storage technology solution widely adopted in the ...

[Get Price](#)

Energy storage costs

This study shows that battery electricity storage systems offer enormous deployment and cost-reduction potential. By 2030, total installed costs could fall between 50% and 60% (and battery ...

[Get Price](#)



Battery Energy Storage System (BESS) Costs and LCOS in ...

Battery Energy Storage Systems (BESS) are now central to the effective integration of renewable energy sources.



As prices evolve, the Levelized Cost of Storage ...

[Get Price](#)

Cost, shipping, energy density drive move to ...

Clean Energy Associates (CEA) has released its latest pricing survey for the BESS supply landscape, touching on price, products and ...

[Get Price](#)



Cost, shipping, energy density drive move to 5MWh BESS ...

Clean Energy Associates (CEA) has released its latest pricing survey for the BESS supply landscape, touching on price, products and policy.

[Get Price](#)

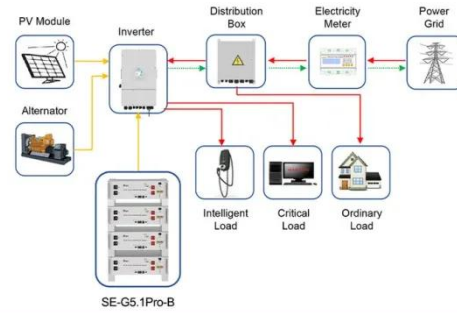


BNEF finds 40% year-on-year drop in BESS ...

BNEF analyst Isshu Kikuma discusses trends and market dynamics impacting the cost of energy storage in 2024 with

ESN Premium.

[Get Price](#)



Application scenarios of energy storage battery products



CATL EnerC+ 306 4MWH Battery Energy ...

The EnerC+ container is a battery energy storage system (BESS) that has four main components: batteries, battery management ...

[Get Price](#)

Contact Us

For catalog requests, pricing, or partnerships, please visit:
<https://www.eqacc.co.za>