

## EQACC SOLAR

# Use 12v to produce a simple inverter



## Overview

---

What is a 12V inverter?

A 12V inverter is an electronic device that converts 12V direct current (DC) power from a battery into 120V alternating current (AC) power. This conversion is necessary when you want to power AC appliances or devices using a DC power source, such as a battery.

Why should you use a 12V inverter circuit?

Using a 12V inverter circuit can be a cost-effective solution compared to other alternatives. It eliminates the need for expensive and bulky transformers, as well as the need for separate AC power sources. By utilizing a single 12V input, the circuit can provide AC power efficiently and economically.

How do I build a 12V inverter circuit?

Connect a load, such as a small appliance or a test bulb, to the output of the inverter. Switch on the circuit and check if the load is powered on. If everything is working fine, congratulations, you have successfully built a 12V inverter circuit!.

Can a 12V inverter circuit be used with solar panels?

Yes, a 12V inverter circuit can be used with solar panels. The solar panels can charge a 12V battery, which can then be used to power the inverter circuit. This setup allows for the conversion of solar energy into usable AC power for various applications. What is a 12V inverter circuit used for?

## Use 12v to produce a simple inverter



### 100w Inverter circuit 12V to 220V using ...

See 100w inverter circuit 12V to 220V/120V 50Hz-60HZ output. Using main components are transistors without IC. So easy to ...

[Get Price](#)

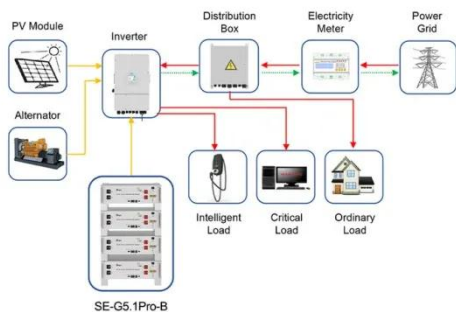
## How To Make 12v DC to 220v AC Converter/Inverter Circuit ...

These modified inverters produce a square wave and these are not used to power delicate electronic equipments . Here, a simple voltage driven inverter circuit using power ...

### ESS



[Get Price](#)



Application scenarios of energy storage battery products

## Understanding Basics Of An Inverter Circuit: ...

This article provides basic information on what an inverter circuit is, how it works, its types, and some related topics you may need.

[Get Price](#)

## 12V to 120V Inverter: How It Works & What ...

A 12V to 120V inverter can convert DC power (12V) into AC power (120V), making it compatible with household appliances. These ...

[Get Price](#)



## How to Build a 12v Inverter Circuit Diagram for Powering ...

Find the circuit diagram for a 12v inverter and learn how it can convert direct current (DC) to alternating current (AC) for various applications. Understand the components and connections ...

[Get Price](#)

## 7 Simple Inverter Circuits for Newcomers

The 7 simple inverter circuits for newcomers explained in the following paragraphs concerns easy to build designs and as economical ...

[Get Price](#)



## How Does an Inverter Work? A Simple ...

Waveform Type - Use a pure sine wave inverter for sensitive electronics. Input

Voltage - Match the inverter's input voltage with your ...

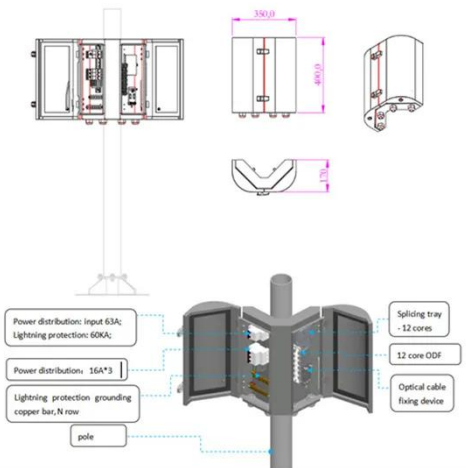
[Get Price](#)



## Design your own Sine Wave Inverter Circuit ...

In this article I have explained comprehensively regarding how to design a sine wave inverter without any form of coding or complex ...

[Get Price](#)



## Complete Guide to Building a DC to AC Inverter Circuit: 12V ...

A DC to AC inverter circuit transforms 12V DC input into 220V AC output, enabling you to power standard household devices from battery sources. This comprehensive guide will ...

[Get Price](#)

## How to Build a Homemade Power Inverter

Learn how to build an inverter in a most easy to understand and step by step

method. An inverter can be taken as a crude form of UPS. Obviously the main use of an ...

[Get Price](#)



## How to Make Inverter 12V to 220V

Also, these inverters are cheaper since the output waveform requires no complicated system. However, harmonic distortion to audio ...

[Get Price](#)

## How To Make 12v DC to 220v AC Converter/Inverter Circuit

...

Simple tested circuit to convert 12v DC to 220v AC using transistors, MOSFET and another circuit using 555 is explained here.

[Get Price](#)



## 7 Simple Inverter Circuits for Newcomers

The 7 simple inverter circuits for newcomers explained in the following paragraphs concerns easy to build



designs and as economical as you could possibly would like. 1) Simple ...

[Get Price](#)

---

## Complete Guide to Building a DC to AC ...

A DC to AC inverter circuit transforms 12V DC input into 220V AC output, enabling you to power standard household devices from battery ...

[Get Price](#)



## DIY Simple Inverter 12V to 230V : 5 Steps

DIY Simple Inverter 12V to 230V: In This project I'll try to make an Simple inverter using CD4047 IC. This project is Useful for Your DIY projects. In My country, we are currently facing to power ...

[Get Price](#)

---

## Inverter Current Calculator, Formula, Inverter Calculation

Inverter Current Formula: Inverter current is the electric current drawn by an inverter to supply power to connected

loads. The current depends on the power output required by the ...

[Get Price](#)



## How To Make 12v-220v DIY Homemade ...

Here is a 12v-220v DIY Homemade Inverter using very simple method and basic components. I tried to make this Inverter as easy as it ...

[Get Price](#)

## Build Your Own 12V To 220V Inverter: A Step-by-Step Guide

Understanding Inverters: The Basics  
Before we jump into the how to make inverter 12v to 220v build, let's break down what an inverter actually is. In simple terms, an inverter is a ...

[Get Price](#)



## How to Build a Homemade Power Inverter

Learn how to build an inverter in a most easy to understand and step by step method. An inverter can be taken as a

crude form of ...

[Get Price](#)



## 7 Simple Inverter Circuits you can Build at Home

These 7 inverter circuits might look simple with their designs, but are able to produce a reasonably high power output and an efficiency of around 75%. Learn how to build ...

[Get Price](#)



## How to Design an Inverter - Theory and Tutorial

Here's the block diagram which illustrates how to implement the above elements with a simple configuration (center tap push-pull). ...

[Get Price](#)



## How to Build a Simple DC to AC Power Inverter with a 12V ...

Build a simple DC to AC power inverter with a 12V battery. Get circuit design, calculations, applications, and safety tips

for reliable inverter use.

[Get Price](#)



---

## Contact Us

For catalog requests, pricing, or partnerships, please visit:  
<https://www.eqacc.co.za>