

EQACC SOLAR

Solar panel solar production



Overview

What is solar panel manufacturing?

Solar panel manufacturing is a sophisticated process that combines precision engineering, advanced materials science, and quality control to create devices capable of converting sunlight into usable electricity. This intricate production chain is fundamental to the growing photovoltaic systems industry that powers clean energy generation worldwide.

How does solar manufacturing work?

How Does Solar Work?

Solar manufacturing encompasses the production of products and materials across the solar value chain. While some concentrating solar-thermal manufacturing exists, most solar manufacturing in the United States is related to photovoltaic (PV) systems.

What are the basics of solar panel manufacturing?

The basics of solar panel manufacturing are very important when it comes to the solar panel production business. Selecting the appropriate equipment is crucial to ensure top-notch outcomes. In particular, a production line requires various types of tools and machines, including soldering tools, wire strippers, drills, and testing equipment.

What is the process of making solar panels?

Solar panels are made through the following process: Sand → Silicon → Wafer → Photovoltaic Cell → Solar Panel. This involves silicon wafer production, cell fabrication, and the assembly of panels into solar modules in a solar manufacturing plant.

Solar panel solar production



How Are Solar Panels Manufactured Step-by ...

Discover the step-by-step journey of solar panel manufacturing, from high-purity silicon wafers to final assembly and quality testing. Explore key ...

Solar Panel Manufacturing: A Step-by-Step Production Guide

The production of quality solar panels is a complex process involving many steps and components. In this guide, we will walk you through the basics of solar panel ...



Solar Panel Production Lines

Solar panel production lines from reliable suppliers. Efficient and high-quality photovoltaic solutions for your energy needs. Shop our advanced technology today!



Solar Panel Manufacturing Process: Step-by-Step Guide

Complete solar panel manufacturing process - from raw materials to a fully functional solar panel. Learn how solar panels are made in a solar manufacturing plant, ...



How Solar Panels Are Made: Challenges & Future Trends

Explore how solar panels are manufactured, key challenges in materials and supply chains, and the innovations shaping the future of solar production.

Solar Panel Production Line

Professional Solar Panel Production Line manufacturer, We provide solar panel making machines, solar panel assembly lines, solar panel ...



Solar Panel Manufacturing: A Comprehensive Guide to the ...

Discover the fascinating world of solar panel manufacturing, where cutting-edge technology meets sustainable energy production. This comprehensive

guide explores the ...



Average Solar Energy Per Year, Month and Day

Introduction - Average Solar Energy
Harnessing the power of the sun is a sustainable energy source, but do you know what is the ...



How Are Solar Panels Manufactured Step-by-Step? A Clear ...

Discover the step-by-step journey of solar panel manufacturing, from high-purity silicon wafers to final assembly and quality testing. Explore key components like PV cells, tempered glass, and ...

Solar Photovoltaic Manufacturing Basics

Solar Photovoltaic Manufacturing Basics
Solar manufacturing encompasses the production of products and materials

across the solar value chain. While some concentrating ...



How Solar Panels Are Made: Step-by-Step Manufacturing ...

How Solar Panels Are Made? The solar panel production process includes multiple steps, starting from silicon purification to the final assembly. Each stage is carefully controlled to ensure high ...

What is the Manufacturing Process of Solar ...

The manufacturing process of solar panels primarily involves silicon cell production, panel assembly, and quality assurance. Starting ...



The Solar Panel Manufacturing Process

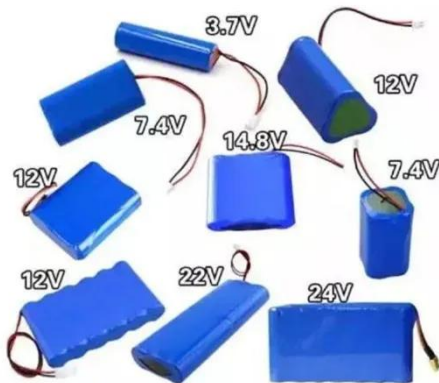
Moreover, the innovative strides being made in the solar industry, led primarily by China, demonstrate a promising trend

towards ...



Daily Solar Production Calculator

A Daily Solar Production Calculator is a tool used to estimate the amount of electricity generated by a solar panel system per day. This ...

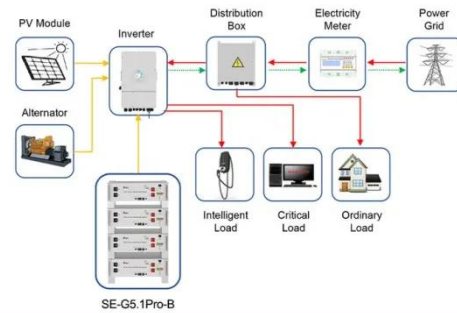


Solar Photovoltaic Manufacturing Basics

Solar Photovoltaic Manufacturing Basics
Solar manufacturing encompasses the production of products and materials across the solar ...

The Performance and Production of a Solar ...

Understand and Estimate the Yield and Production of Solar Panels (hybrid, thermal, photovoltaic) thanks to the Dualsun Guide



Application scenarios of energy storage battery products



How Are Solar Panels Manufactured? Processes & production

The solar module production process directly determines long-term performance and reliability. From material structure and cell technology to encapsulation and testing ...

Solar Panel Making Machines: A Guide to the ...

In this comprehensive guide, you will discover a fundamental overview of solar panel making machines and production processes ...



- TELECOM CABINET
- BRAND NEW ORIGINAL
- HIGH-EFFICIENCY

Solar Panel Manufacturing Process Explained

Discover the solar panel manufacturing process at Anmak Solar. Learn how to manufacture solar panels efficiently and

sustainably. ...



Solar Panel Manufacturing: A Step-by-Step ...

The production of quality solar panels is a complex process involving many steps and components. In this guide, we will walk you ...



Nigeria solar panel production: Impressive Surge in 2025

Nigeria is making monumental strides in renewable energy, dramatically reducing its reliance on solar panel imports as local production surges to meet

Solar Panel kWh Calculator: kWh Production ...

Solar Output = Wattage × Peak Sun Hours × 0.75 Based on this solar panel output equation, we will explain how you can calculate how ...



Solar Panel Manufacturing Process Explained , Anmak Solar

Discover the solar panel manufacturing process at Anmak Solar. Learn how to manufacture solar panels efficiently and sustainably. Start your journey today!

China to hold over 80% of global solar ...

After investing over US\$130 billion into the solar industry in 2023, China will hold more than 80% of the world's polysilicon, wafer, cell, ...



The Performance and Production of a Solar Panel GUIDE

Understand and Estimate the Yield and Production of Solar Panels (hybrid, thermal, photovoltaic) thanks to the Dualsun Guide



How Solar Panels Are Made: Step-by-Step ...

How Solar Panels Are Made? The solar panel production process includes multiple steps, starting from silicon purification to the final assembly. Each

...



Contact Us

For catalog requests, pricing, or partnerships, please visit:
<https://www.eqacc.co.za>