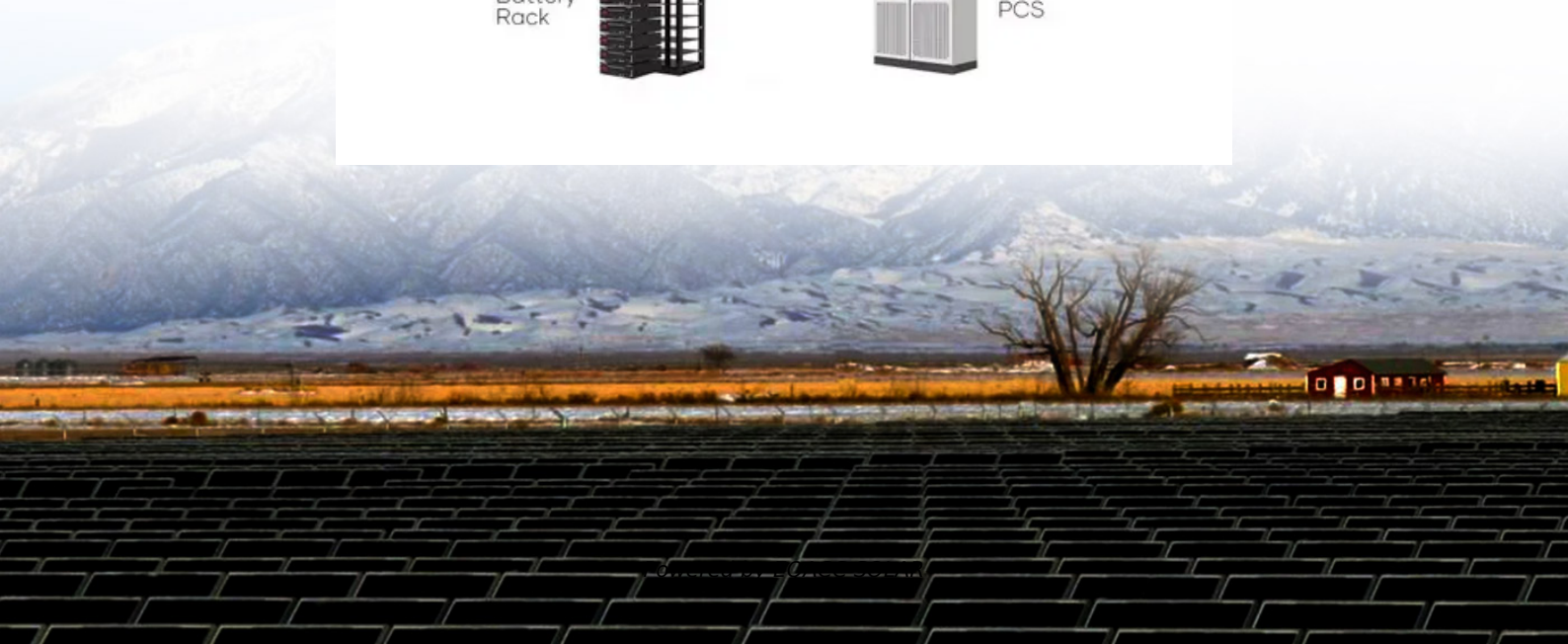


EQACC SOLAR

Quotation for a 100kW Photovoltaic Folding Container Project



Overview

What configurations make up a 100kva 100kW solar power plant?

The following configurations make up a complete 100kva 100kW solar power plant: Optional solar mounting support, PV combiner boxes, and cables. PVMARS provides a complete turnkey PV energy storage system solution. After we complete production, the system delivered to you can be used immediately after connections are made.

How much does a 100kW solar power plant cost?

100kW solar power plant prices US\$75,252 – Gel battery design. (Valid for 30 days). Note: If you need a quote for lithium battery design, please contact solar@pvmars.com to obtain it. Below are the product parameters and pictures of the 100kw solar plant. Strong anti-cracking, heat spot protection.

What is a mobile solar PV container?

High-efficiency Mobile Solar PV Container with foldable solar panels, advanced lithium battery storage (100-500kWh) and smart energy management. Ideal for remote areas, emergency rescue and commercial applications. Fast deployment in all climates.

How much power does a 100kW solar panel generate?

Based on the average lighting time of about 4-6 hours, a 100kw solar panel can generate 392kWh-588kWh per day, about 17,644kWh per month, and about 211,723kWh per year. Solar panels generate power related to the amount of sunshine in your local area. Click on this article to learn more. This is laboratory data and may deviate from actual use.

Quotation for a 100kW Photovoltaic Folding Container Project



100Kva 100Kw Photovoltaic Concentrated ...

100Kw 3 Phase High Quality 50Kw Complete 30Kw Hybrid Solar System With Lithium Battery Solar Panel Type Monocrystalline ...

QIANEN 100KW Foldable Photovoltaic Solar Energy MPPT ...

Key attributes Solar Panel Type Monocrystalline Silicon, Polycrystalline Silicon Controller Type MPPT Free installation service NO Place of Origin Jiangsu, China Load Power (W) 100KW ...

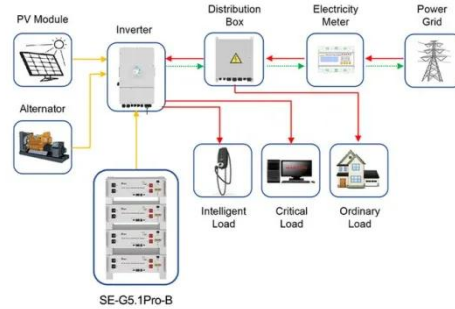


Sail Solar 100kw 215kwh High Voltage Hybrid Container with ...

Over 20GW Photovoltaic Solar Panels Installed Worldwide, 20000+ Solar System For Residential And Commercial Owners. Sail Solar, our goal is to make wold light, and we ...

Mobile Solar Container Systems , Foldable PV ...

LZY Mobile Solar Container System - The rapid-deployment solar solution with 20-200kWp foldable PV panels and 100-500kWh battery storage. Set ...



Application scenarios of energy storage battery products



Folding solar system power generation cabin

The QIANEN 100KW Foldable Photovoltaic Solar System delivers professional-grade power generation with exceptional portability. This commercial solar solution features advanced ...

Mobile Solar Container Systems , Foldable PV Panels , LZY Container

LZY Mobile Solar Container System - The rapid-deployment solar solution with 20-200kWp foldable PV panels and 100-500kWh battery storage. Set up in under 3 hours for off-grid ...

Support Customized Product



Mobile Solar PV Container , Portable Solar Power Solutions

The HJ Mobile Solar Container comprises a wide range of portable containerized solar power systems with highly efficient

folding solar modules, advanced lithium battery storage, and ...



20ft Mobile Solar Container 100KW , High-Efficiency Grid-Tied PV

Powered by premium 610W panels, the 100KW Mobile Solar Container from Highjoule delivers maximum energy density in a compact 20ft format. It's optimized for grid-tied setups requiring ...

ESS



100Kva 100Kw Photovoltaic Concentrated Container Home ...

100Kw 3 Phase High Quality 50Kw Complete 30Kw Hybrid Solar System With Lithium Battery Solar Panel Type Monocrystalline Silicon, Polycrystalline Silicon Battery Type ...



China 100kw Solar System In Container Manufacturer and ...

Find a reliable China manufacturer and supplier for your 100kw solar system in container. Purchase directly from the

factory for the best quality and price.



100kVA 100kW Solar Power Plant And Price

Flexible, Scalable Design For Efficient 100kVA 100kW Solar Power Plant. With Lithium-ion Battery Off Grid Solar System For A Factory, Hotel, or House Communities.

Solar Container , Large Mobile Solar Power ...

Explore LZY Containers's customizable and scalable solar container solutions, with rapidly deployable folding PV panels combined ...



100kVA 100kW Solar Power Plant And Price

Flexible, Scalable Design For Efficient 100kVA 100kW Solar Power Plant. With Lithium-ion Battery Off Grid Solar System For A Factory, Hotel, or House

Communities.



Solar Container , Large Mobile Solar Power Systems

Explore LZY Containers's customizable and scalable solar container solutions, with rapidly deployable folding PV panels combined with containerized designs. Learn about mobile ...



Contact Us

For catalog requests, pricing, or partnerships, please visit:
<https://www.eqacc.co.za>