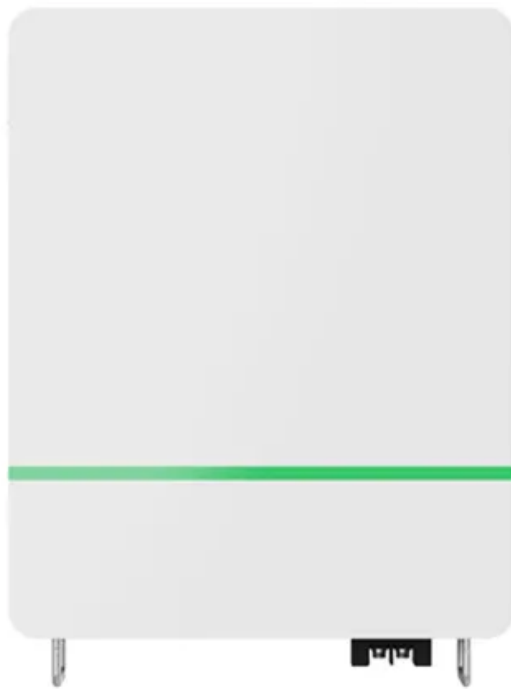


EQACC SOLAR

Latest 250kW Smart Photovoltaic Energy Storage Container



Overview

The HMX-BESS-250500 represents the cutting edge in containerized energy storage technology, providing superior performance for commercial, industrial, and renewable energy applications. What is a 20ft container 250kW 860kwh battery energy storage system?

Equipped with automatic fire detection and alarm systems, the 20FT Container 250kW 860kWh Battery Energy Storage System is the ultimate choice for secure, scalable, and efficient energy storage applications. Email us with any questions or inquiries or use our contact data.

What is a 20ft container energy storage system?

It also includes automatic fire detection and alarm systems, ensuring safe and efficient energy management. The 20FT Container 250kW 860kWh Battery Energy Storage System is a highly integrated and powerful solution for efficient energy storage and management.

What is energy storage system products list?

Energy Storage System Products List covers all Smart String ESS products, including LUNA2000, STS-6000K, JUPITER-9000K, Management System and other accessories product series.

Latest 250kW Smart Photovoltaic Energy Storage Container



The Ultimate Guide to Battery Energy Storage ...

Battery Energy Storage Systems (BESS) have become a cornerstone technology in the pursuit of sustainable and efficient energy ...

Container Energy Storage Systems

This system is an optical storage and charging system composed of photovoltaic carport, energy storage ...



Commercial Energy Storage System

Zeconex energy storage system companies produced 250KW/500KWH commercial energy storage system, Can storing energy ...



BSI-Container-20FT-250KW-860kWh

The BSI-Container-20FT-250KW-860kWh is a robust, turnkey industrial energy storage solution engineered for rapid deployment and high-density ...



Mobile Solar Container Systems , Foldable PV ...

LZY Mobile Solar Container System with 20-200kWp foldable PV panels and 100-500kWh battery storage, deployable in under 3 hours.

Hitek 20FT 40FT Bess 250kw 500kw 1MW Solar Storage System Container

HITEK ENERGY-Photovoltaic Energy Storage System Integrator - As a professional PV energy storage system integrator, we provide end-to-end technical solutions ...



LUNA2000-215 Series: Smart Energy Storage ...

Discover the Huawei LUNA2000-215 Series, a smart and efficient energy storage solution for your home. Enhance

your solar energy system with ...



Energy Storage System Products List , HUAWEI Smart PV ...

Energy Storage System Products List covers all Smart String ESS products, including LUNA2000, STS-6000K, JUPITER-9000K, Management System and other accessories product series.



BSI-Container-20FT-250KW-860kWh

The BSI-Container-20FT-250KW-860kWh is a robust, turnkey industrial energy storage solution engineered for rapid deployment and high-density energy performance. Housed in a 20-foot ...

Solar Container , Large Mobile Solar Power ...

LZY container specializes in foldable PV container systems, combining R& D, smart manufacturing, and global sales. Headquartered in ...



Energy storage container, BESS container

What is energy storage container? SCU uses standard battery modules, PCS modules, BMS, EMS, and other systems to form standard ...

20FT Container 250KW 803KWH Battery Energy Storage ...

20FT Container 250KW 803KWH Battery Energy Storage System The Bluesun 20-foot BESS Container is a powerful energy storage solution featuring battery status monitoring, ...



50kW/100kWh, 100kW/215kWh, 100kW/232kWh, 125kW/253kWh, 125kW/261kWh ...

The project is located at an electric vehicle charging station in Shanghai, China. It employs a purely off-grid

photovoltaic-storage-charging system, ...



250KW Containerized Energy Storage

Description Premium Lithium Ion Battery Storage Container Solutions The HMX-BESS-250500 represents the cutting edge in containerized energy storage technology, providing superior ...



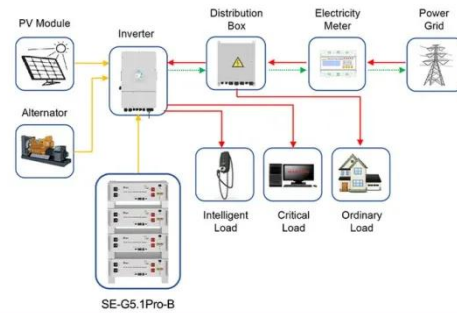
Bluesun Competitive 250kw 200kw Energy Storage Solar ...

Air Cooling System Voltage Other Product name 250kw Energy Storage Container System Application Commercial Battery Lithium LifePO4 Battery Packs Battery capacity 3.2V/280Ah ...

Hitek 20FT Ess Lithium Energy Storage Container 250kwh ...

Hitek 20FT Ess Lithium Energy Storage Container 250kwh 500kwh 1mwh with PCS250kw 500kw Energy Storage

System Price US\$0.88 250,000-999,999
Watt



Application scenarios of energy storage battery products



Energy Storage System

About Sungrow Energy Storage System
In 2006, Sungrow ventured into the energy storage system (ESS) industry. Relying on its cutting-edge clean ...

Container Energy Storage System

A high-performance, all-in-one, containerized battery energy storage system developed by Sunark, provides C& I users with the intelligent and reliable solution to optimize ...



Energy Storage System 100kw 250kw 500kw ...

Energy Storage System 100kw 250kw 500kw Photovoltaic Utility Scale Container Battery Energy Storage System, Find Details and ...



PHOTOVOLTAIC ENERGY STORAGE CONTAINER ...

What is a container energy storage system? Container energy storage systems are typically equipped with advanced battery technology, such as lithium-ion batteries. These batteries offer ...



PLANNANO 250KW 1Mwh Container Battery Energy Storage ...

PLANNANO 250KW 1Mwh Container Battery Energy Storage Systems For Backup Power This project is located in Tianjin, China. It is a backup power system built by the Tianjin ...

150KW-500KW Industrial Solar System for Factory , Greenwatt

Greenwatt high-efficiency photovoltaic system with integrated energy storage for uninterrupted power supply and cost

savings. it boost sustainability with our
150KW 250KW 500KW ...



Commercial Energy Storage System , 250KW/500KWH

Zeconex energy storage system
companies produced 250KW/500KWH
commercial energy storage system, Can
storing energy to realize peak shaving
and valley filling, and profit ...

Contact Us

For catalog requests, pricing, or partnerships, please visit:
<https://www.eqacc.co.za>