

EQACC SOLAR

How much electricity can a containerized energy storage cabinet store



Overview

What is a container battery energy storage system?

Understanding its Role in Modern Energy Solutions A Container Battery Energy Storage System (BESS) refers to a modular, scalable energy storage solution that houses batteries, power electronics, and control systems within a standardized shipping container.

Are energy storage containers a viable alternative to traditional energy solutions?

These energy storage containers often lower capital costs and operational expenses, making them a viable economic alternative to traditional energy solutions. The modular nature of containerized systems often results in lower installation and maintenance costs compared to traditional setups.

What is a battery energy storage system (BESS) container?

Battery Energy Storage System (BESS) containers are critical components in today's energy infrastructure. As more power grids incorporate renewable energy, the role of BESS in balancing power supply and demand has become increasingly important.

What is the energy capacity of a Bess container?

The energy capacity of a standard BESS container varies based on battery type, voltage, and configuration. TLS Energy commonly offers BESS containers ranging from 1 MWh to over 6 MWh per 20-foot.

How much electricity can a containerized energy storage cabinet store



How Much Energy Can a Container Store? The Future of ...

Why Energy Storage Containers Are the Swiss Army Knives of Power Ever wondered how much energy a container can store? Well, imagine a shipping container - the ...

How much energy can a container store

How much energy can be stored in a 20-foot liquid cooling container? Itional design of 3727kWh to 5016kWh. Higher BESS capacity will allow for lower auxiliary power ...



2MW CONTAINERIZED ENERGY STORAGE SYSTEM FOR 4

FAQS about Relay application in energy storage cabinet How do storage batteries stabilize electricity supply? Since storage batteries can store generated electricity, they can stabilize ...

Energy storage container, BESS

container

Energy Storage Container Adding Containerized Battery Energy Storage System (BESS) to solar, wind, EV charger, and other renewable ...



How Much Energy Can Container Storage Hold?

With the continuous advancement of Container energy storage projects and the ongoing innovation in lithium ion battery system technology, the cost of containerized energy ...

How Containerized Battery Energy Storage Systems Boost ...

10 hours ago HITEK ENERGY CO., LTD works as a maker of containerized battery energy storage systems. They focus on good lithium setups for commercial, home, and big grid needs.



How a Containerized Battery Energy Storage System Can ...

A Container Battery Energy Storage System (BESS) refers to a modular, scalable energy storage solution that houses batteries, power electronics, and

control systems within a ...



Containerized Battery Energy Storage System ...

Discover the benefits and features of Containerized Battery Energy Storage Systems (BESS). Learn how these solutions provide ...

PUSUNG-R (Fit for 19 inch cabinet)



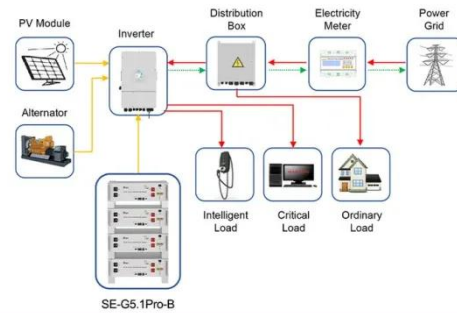
How Much Energy Can a Storage Container Really Hold?

The Surprising Capacity of Modern Energy Storage Containers You're probably wondering: how much power can these big metal boxes actually store? Well, the answer isn't as simple as you ...

How a Containerized Battery Energy Storage ...

A Container Battery Energy Storage System (BESS) refers to a modular, scalable energy storage solution that

houses batteries, power ...



Application scenarios of energy storage battery products



How much electricity can a container energy storage cabinet store

1. The amount of electricity a container energy storage cabinet can hold varies significantly based on the model and purpose. 2. ...

Understanding the Energy Capacity and ...

Explore how energy capacity and power ratings define BESS container performance. Learn the relationship between power and energy ...



How much electricity can a container energy storage cabinet store

1. The amount of electricity a container energy storage cabinet can hold varies significantly based on the model and

purpose. 2. Typically, these systems can store anywhere ...



Energy Storage System Basis: What Are ...

An energy storage cabinet is a device that stores electrical energy and usually consists of a battery pack, a converter PCS, a control chip, and ...



How Much Electricity Can an Elevator Store? The Surprising ...

When Elevators Become Power Banks Did you know your office elevator could moonlight as a power plant? While most of us gripe about elevator wait times, engineers are reimagining ...

Understanding the Energy Capacity and Applications of BESS ...

Explore how energy capacity and power ratings define BESS container performance. Learn the relationship between power and energy in battery

storage, and ...



Container Energy Storage Battery Power Stations: The Future ...

Why Everyone's Talking About Containerized Energy Storage Imagine a world where shipping containers do more than transport goods--they power cities. That's exactly ...

How much electricity can an energy storage container hold

Containerized Battery Energy Storage Systems (BESS) are essentially large batteries housed within storage containers. These systems are designed to store energy from renewable ...



Understanding Energy Calculations for ...

? Want to estimate how much energy your containerized battery system can deliver? Let's break it down step by step.
? Step 1: ...



How much electricity can an energy storage ...

1. The amount of electricity an energy storage cabinet can hold is predominantly determined by its capacity, technology, and ...



HOW MUCH ELECTRICITY DOES A CONTAINER HANDLE

How much electricity can cape town s energy storage battery container store
 The biggest battery energy storage system (BESS) in South Africa boasts 1,140 megawatt-hours (MWh) of storage ...

Power Container Energy Storage: The Future of Flexible Energy ...

Enter power container energy storage solutions - the Swiss Army knives of energy management. These modular

systems are revolutionizing how we store and deploy electricity, ...



Understanding Energy Calculations for Containerized Battery Energy

? Want to estimate how much energy your containerized battery system can deliver? Let's break it down step by step.
? Step 1: Calculate Energy of a Single Battery Cell ? ...

Energy storage container, BESS container

Highly integrated All-in-one containerized design complete with LFP battery, bi-directional PCS, isolation transformer, fire suppression, air ...



Containerized Battery Energy Storage System (BESS): 2024 ...

Discover the benefits and features of Containerized Battery Energy Storage Systems (BESS). Learn how these solutions provide efficient, scalable

energy storage for ...



Contact Us

For catalog requests, pricing, or partnerships, please visit:
<https://www.eqacc.co.za>