

EQACC SOLAR

How many amperes does the solar container battery charge



Overview

The amperage of solar charging panels typically varies based on several factors including panel size, type, and environmental conditions. 1, The average amperage ranges from 5 to 40 amps, depending on the specific application and setup. 2, Small solar panels for portable chargers usually output around 5 to 10 amps, while larger panels for home use can produce between 20 to 40 amps. 3, The efficiency and quality of the solar cells also play a significant role in determining the final amperage output. 4, It's essential to match the solar panel with the battery and charge controller being used to optimize performance and safety of the entire solar charging system. How many volts can a solar cell charge?

These solar cells should be able to charge one 1.2 volt, battery, or two 1.2 volt batteries in series at a rate of 20 mA for 200 mAh battery, 30 mA for a 300 mAh battery, or 60 mA for a 600 mAh battery. The charging circuit for these batteries is simple, a solar cell connected to a diode then connected to a NiCad battery.

How much energy can a solar panel supply to a battery?

To calculate the energy it can supply to the battery, multiply Watts by the hours exposed to sunshine, then multiply the result by 0.85 (this factor allows for natural system losses). For the solar 10W panel in 4 hours of sunshine, $10 \times 4 \times 0.85 = 34\text{Wh}$. This is the amount of energy the solar panel can supply to the battery.

How much energy does a solar array use?

$12\text{V} \times 100\text{Ah} = 1200\text{Wh}$ (or 1.2kWh) This figure tells you how much energy needs to be replenished. Daily Consumption and Charging Time If you want to fully recharge your battery in one day, your solar array must generate at least the equivalent wattage used—plus losses (typically ~20%).

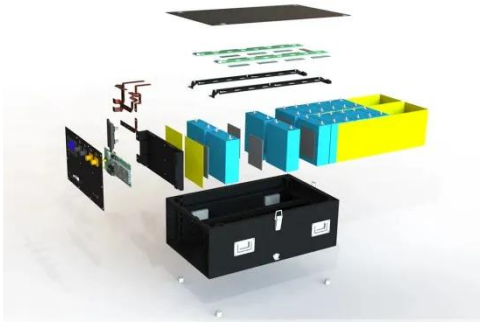
Can a solar inverter charge a battery?

In hybrid systems, the inverter may also act as a charger. Otherwise, an

external solar charge controller manages panel-to-battery charging. Still, the Size of your inverter must match your battery voltage and desired AC output.

Step 1 - Understand Continuous and Peak Loads Calculate the total continuous load in watts and the peak (surge) load:

How many amperes does the solar container battery charge



How many amperes is a solar light battery , NenPower

1. The specific number of amperes for a solar light battery varies widely, but typically falls within the range of 4 to 20 amperes, depending on battery type and usage ...

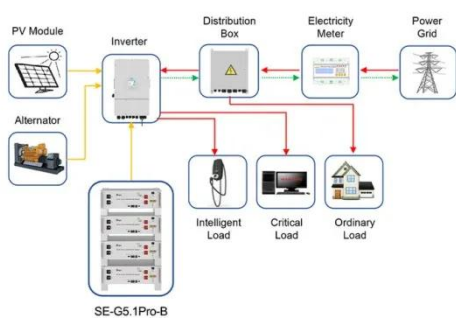
[Get Price](#)

How many amperes can 18v8w solar charge a ...

In determining how many amperes an 18V 8W solar panel can charge a battery, the answer hinges on a few essential points. 1. The ...



[Get Price](#)



Application scenarios of energy storage battery products

1MW Battery Energy Storage System

MEGATRONS 1MW Battery Energy Storage System is the ideal fit for AC coupled grid and commercial applications. Utilizing Tier 1 280Ah LFP battery cells, each BESS is ...

[Get Price](#)

How many amperes can 18v8w

solar charge a battery

In determining how many amperes an 18V 8W solar panel can charge a battery, the answer hinges on a few essential points. 1. The current output can be calculated...

[Get Price](#)



How to Choose the Right Solar Containerized ...

Learn how to choose the right solar containerized energy unit based on your energy needs, battery size, certifications, and deployment ...

[Get Price](#)

Determining the Solar and Inverter Size ...

Otherwise, an external solar charge controller manages panel-to-battery charging. Still, the Size of your inverter must match your battery ...

[Get Price](#)



How many amperes are solar charging panels , NenPower

1. INTRODUCTION TO SOLAR AMPERAGE
Understanding the amperage of solar charging panels is crucial for anyone

looking to utilize solar energy effectively.
The amperage ...

[Get Price](#)



Battery Charge Time Calculator - Fast & Easy Estimation

Battery Charge Time Calculator This calculator helps you estimate the time required to charge your battery. How to Use Enter the Battery Capacity in milliampere-hours ...

[Get Price](#)



HOW MANY AMPERES DOES THE ENERGY STORAGE BATTERY CHARGE?

The global solar storage container market is experiencing explosive growth, with demand increasing by over 200% in the past two years. Pre-fabricated containerized solutions now ...

[Get Price](#)

Amp Hour Calculator: How To Calculate Amp ...

With many batteries and power banks,

you only get watt-hours (Wh) specified on the label. What you want to know, however, is how ...

[Get Price](#)



Power Output and Scalability of Mobile Solar Power Containers

Since solar power is intermittent, most mobile containers integrate battery energy storage systems (BESS) to ensure continuous electricity supply: Lithium-ion batteries are ...

[Get Price](#)

Solar Battery Life Questions Answered for Container Sizing

Solar battery life in containers can reach up to 15 years with proper care. Learn key factors for sizing and solar battery lifespan.

[Get Price](#)



How to Choose the Right Solar Containerized Energy Unit

Learn how to choose the right solar containerized energy unit based on your

energy needs, battery size, certifications, and deployment conditions. A practical guide with ...

[Get Price](#)



HOW MANY AMPERES ARE SUITABLE FOR BATTERY REPLACEMENT

How much does energy storage battery cost in Karachi Pakistan The minimum solar batteries price in pakistan is Rs. 950 and the estimated average price is Rs. 35,000 Buy the updated ...

[Get Price](#)



Solar Panel Amps Calculator (Watts to Amps) ...

How to use this calculator? Solar panel output: Enter the total capacity of your solar panel (Watts). V_{mp} : Is the operating voltage of the ...

[Get Price](#)

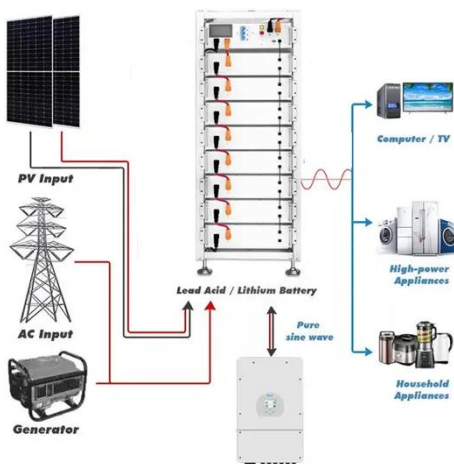


How many amperes of battery can be charged by solar energy?

When considering how many amperes a

battery can be charged using solar energy, numerous contributory factors must be assessed, including solar panel specifications, ...

[Get Price](#)



How many amperes are solar charging panels ...

1. INTRODUCTION TO SOLAR AMPERAGE
Understanding the amperage of solar charging panels is crucial for anyone looking to ...

[Get Price](#)

How to Calculate Battery Charging Time

Charge Battery from Solar Panel: How to Calculate Battery Charging Time In order to save electricity, solar energy system aims to go into every family. Look, here are some positive ...

[Get Price](#)



Battery Charge and Discharge Rate Calculator: ...

Use our battery charge and discharge rate calculator to find out the battery charge and discharge rate in amps.

Convert c-rating in amps.

[Get Price](#)

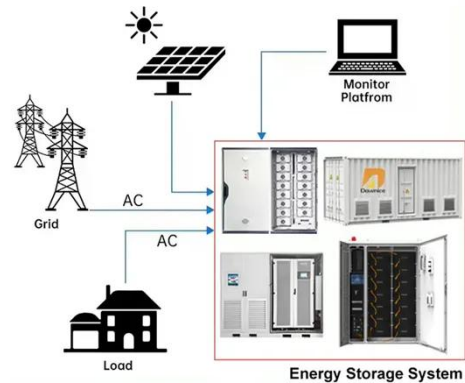


How many amperes does the energy storage ...

In the context of batteries, amperes denote how much electrical charge a battery can deliver to an electrical circuit within a ...

[Get Price](#)

DISTRIBUTED PV GENERATION + ESS



Determining the Solar and Inverter Size Needed to Charge a Battery

Otherwise, an external solar charge controller manages panel-to-battery charging. Still, the Size of your inverter must match your battery voltage and desired AC output.

[Get Price](#)

How many amperes is suitable for solar batteries? , NenPower

Integrating multiple solar batteries with different amperage ratings into a single

system is feasible, but it requires careful design and consideration. Batteries should ideally ...

[Get Price](#)



Contact Us

For catalog requests, pricing, or partnerships, please visit:
<https://www.eqacc.co.za>