

EQACC SOLAR

How big an inverter should I use for a 220w water pump



Overview

How do I choose the right inverter size for my AC well pump?

Getting the right inverter size for your AC well pump basically revolves around three factors: how much power your pump uses, how long it runs, and how much surge power it needs to start up. Keep reading to learn what size inverter is recommended for AC well pumps and the models that work best for different pump sizes.

What size inverter do I Need?

To determine the appropriate size of the inverter needed to run a pump, it is necessary to calculate the power requirements of the pump. The power requirements can be calculated using the following formula: Power (Watts) = Voltage (Volts) x Current (Amps) First, you need to identify the voltage and current requirements of the pump.

Do well pumps need an inverter?

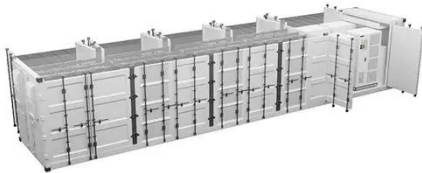
Well pumps, which run on AC power, require an inverter to operate in off-grid systems or during power outages. The size of the inverter required for your AC well pump depends on a few critical factors: Wattage of the Pump: Inverter sizes are rated by their wattage capacity. To select the right inverter, you must know the wattage of your well pump.

Do you need an inverter to run a pump?

Nowadays, with the increasing demand for portable power solutions, many individuals find themselves in need of an inverter to run various devices, including pumps. Inverters are electrical devices that convert the direct current (DC) from a battery or solar panel into alternating current (AC) that is suitable for powering appliances.

How big an inverter should I use for a 220w water pump

What Size Generator to Run a Well Pump: ...



Running a well pump requires a reliable generator. But what size generator should you choose? This question is common among ...

[Get Price](#)

Is the Inverter 12v 220v 1500w suitable for powering a water pump?

In conclusion, the Inverter 12v 220v 1500w can be suitable for powering many water pumps, especially those with moderate power requirements. But you need to carefully consider the ...

[Get Price](#)



Standard 20ft containers



Standard 40ft containers

LFP12V100



What size inverter is recommended for AC well pumps?

Here's the easy calculation to figure out what size inverter is recommended for AC well pumps, plus 5 top recommendations.

[Get Price](#)

What Size Generator to Run a Well Pump: Your Complete ...

Running a well pump requires a reliable generator. But what size generator should you choose? This question is common among homeowners with well water systems. Choosing ...

[Get Price](#)



What Size Inverter Do I Need To Run A Pump?

What Size Inverter Do I Need to Run a Pump? Nowadays, with the increasing demand for portable power solutions, many individuals find themselves in need of an inverter ...

[Get Price](#)

Water Pump and Inverter Compatibility: The Ultimate Guide

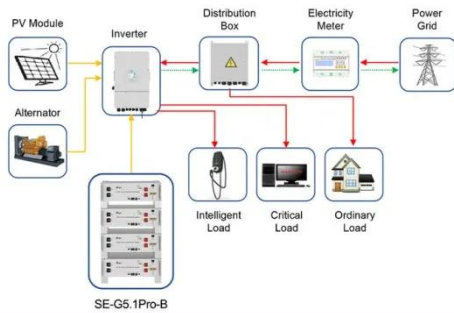
What To Know The answer to this question depends on the type of water pump and the characteristics of the inverter. Using an inverter with these pumps can lead to ...

[Get Price](#)



The Only Inverter Size Chart You'll Ever Need

How to Determine What Size Inverter I



Application scenarios of energy storage battery products

Need? What Are The Two Types of Power loads? Inverter Size Chart What Will A 300W Inverter Run? What Will A 500W Inverter Run? What Will A 700W Inverter Run? What Will A 1000W Inverter Run? What Will A 1500W Inverter Run? What Will A 2000W Inverter Run? What Will A 3000W Inverter Run? Before we go any further, we highly recommend that you choose a pure sine wave inverter. This type of inverter delivers high-quality electricity, similar to your utility company. This way, none of your appliances run the risk of being damaged. Now, when it comes to sizing your inverter, you always need to check your appliances' wattage and ensure t See more on [climatebiz](#) [volyford](#)

What Size Inverter Do I Need To Run A ...

What Size Inverter Do I Need to Run a Pump? Nowadays, with the increasing demand for portable power solutions, many individuals ...

[Get Price](#)

What Size Inverter Do I Need

What Factors Should I Consider When Selecting an Inverter? Your power consumption directly influences the size of the inverter you need. If your power consumption is ...

[Get Price](#)



How to Choose the Best

Inverter for Your Water Pump System



An inverter is a crucial component of any water pump system, converting direct current (DC) electricity from batteries or solar panels into alternating current (AC) power that ...

[Get Price](#)

Contact Us

For catalog requests, pricing, or partnerships, please visit:
<https://www.eqacc.co.za>