

EQACC SOLAR

Delivery time for 20kW intelligent photovoltaic energy storage container



Overview

Standard solar container models can be manufactured and ready to ship in as little as 4-6 weeks. Customized configurations can take up to 8-10 weeks, with shipping times varying by destination. How long does it take to ship a solar container?

Standard solar container models can be manufactured and ready to ship in as little as 4-6 weeks. Customized configurations can take up to 8-10 weeks, with shipping times varying by destination. Do you offer after-sales support for mobile solar PV containers?

.

What is LZY mobile solar container system?

LZY Mobile Solar Container System - The rapid-deployment solar solution with 20-200kWp foldable PV panels and 100-500kWh battery storage. Set up in under 3 hours for off-grid areas, construction sites & emergency power. Get a quote today!.

Why should you choose LZY solar panels on shipping container?

Efficient hydraulics help get the solar panels ready quickly. Due to its construction, our solar panels on shipping container offers unmatched flexibility and maneuverability. Sensitive solar arrays can be effectively protected from storms, vandalism and all possible threats. What is LZY's mobile solar container?

.

How long does it take to install a solar panel container?

Unlike standard solar panel containers, LZY's mobile unit features a retractable solar panel unit for quick installation. Folding solar panel inside the container can be unfolded or stowed in as little as 1h (the time does not vary for different photovoltaic containers).

Delivery time for 20kW intelligent photovoltaic energy storage cont



BSI-Container-20FT-250KW-86 0kWh

The BSI-Container-20FT-250KW-860kWh is a robust, turnkey industrial energy storage solution engineered for rapid deployment and high-density energy performance. Housed in a 20-foot ...

[Get Price](#)

20KW Solar Energy Storage On the Container ...

20KW Solar Energy Storage On the Container of the 40KWH Battery PV Storage System ESS industrial & commercial energy storage ...



[Get Price](#)



Solar Energy Storage Container Prices in 2025: Costs, ...

Explore market trends, pricing, and applications for solar energy storage containers through 2025. Learn about key cost drivers, technological advancements, and practical uses in ...

[Get Price](#)

20kw 40kwhcontainerized Battery Energy Storage Systems ...

20kw 40kwhcontainerized Battery Energy Storage Systems Solutions off Grid Solar System for Commercial, Find Details and Price about Solar Battery Container System ...



[Get Price](#)



Wall Lifepo4 Battery Solar Energy Storage System 20kw ...

Supply Ability Supply Ability: 10000 Set/Sets per Week Solar Energy Storage System 20Kw 30Kw 50Kw 100Kw Container Photo Packaging & delivery Packaging Details Wall Lifepo4 Battery ...

[Get Price](#)

Mobile Solar Container Systems , Foldable PV Panels , LZY Container

LZY Mobile Solar Container System with 20-200kWp foldable PV panels and 100-500kWh battery storage, deployable in under 3 hours.



[Get Price](#)

20kw off-Grid Home Energy Storage Solar System

20kw off-Grid Home Energy Storage



Solar System, Find Details and Price about Storage System Solar Generator from 20kw off-Grid Home Energy Storage Solar System - ...

[Get Price](#)

Foldable Photovoltaic Power Generation Cabin

Advanced PV-BESS -EV Charging Provider The Huijue Group's Optical-storage-charging application scenario is a typical application of microgrid energy storage. The core consists of ...



[Get Price](#)



20F CONTAINER ENERGY STORAGE_C& I_GUANGDONG ...

A fully integrated energy storage system designed specifically for large-scale energy storage scenarios, integrating efficient battery cells and intelligent management technology through ...

[Get Price](#)

Battery Energy Storage System Container , BESS

A containerized energy storage system (often referred to as BESS container or battery storage container) is a modular

unit that ...

[Get Price](#)



20kw Power Conversion System for 40kwh Solar Energy Storage

Solarthon 40KWH ESS with 20KW PCS by Guangdong Solarthon Technology Co., Ltd. is a cutting-edge OEM Solar Battery Charging Container System for efficient energy ...

[Get Price](#)

Energy Storage Cabinet Outdoor 20KW 50KWh/ 30KW

...

The energy storage cabinet has a long lifespan of 10 years, protective class reaches IP54, with a forced air cooling method, over 6000 cycle times at 80% DOD, 25?. We offer a warranty of ...

[Get Price](#)



Solar Energy Storage Container Prices in ...



Explore market trends, pricing, and applications for solar energy storage containers through 2025. Learn about key cost drivers, ...

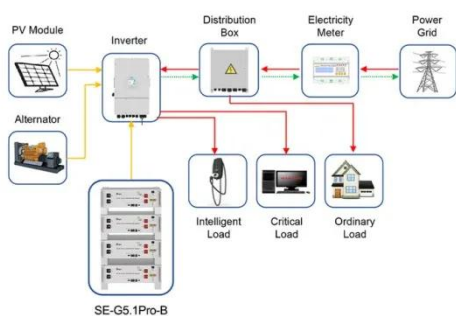
[Get Price](#)

Advanced 20kw Lithium Battery Energy Storage Container ...

Solarthon 40KWH ESS with 20KW PCS by Guangdong Solarthon Technology Co., Ltd. is a cutting-edge OEM Solar Battery Charging Container System for efficient energy ...



[Get Price](#)



Application scenarios of energy storage battery products

20KWh Foldable PV Container with Energy Storage (8ft)

This compact 8ft foldable PV container combines 18kW solar generation and 20kWh storage, offering a versatile and transportable solar energy solution. It's ideal for rapid deployment in ...

[Get Price](#)

Mate Ess Container Battery 20Kw 50Kw 60Kwh Super ...

Mate Ess Container Battery 20Kw 50Kw

60Kwh Super Capacitor Battery Energy Storage System for Industrial, Find Details and Price about bess energy cabinet battery ...

[Get Price](#)



20KW Solar Energy Storage On the Container of the 40KWH Battery PV

20KW Solar Energy Storage On the Container of the 40KWH Battery PV Storage System ESS industrial & commercial energy storage Solar Energy System also known as off ...

[Get Price](#)

Advanced 20kw Energy Storage Solution for Sustainable ...

Advanced 20kw Energy Storage Solution for Sustainable Power Usage, Find Details and Price about High-Capacity Solution 20kw Energy Solution from Advanced 20kw ...

[Get Price](#)



Highjoule Customized Energy Storage Solutions for a ...



Highjoule delivers fully customizable energy solutions including foldable PV containers, integrated PV+storage systems, hybrid PV/storage/diesel cabinets, and mobile wind-solar units for ...

[Get Price](#)

Lifepo4 Solar Energy Battery Systems 40kwh Ess with 20kw Energy Storage

The application fields of industrial and commercial energy storage include separately configured energy storage systems, photovoltaic+energy storage integrated systems (referred to as ...



[Get Price](#)



Energy Storage Cabinet Outdoor 20KW 50KWh/ 30KW 60KWh

The energy storage cabinet has a long lifespan of 10 years, protective class reaches IP54, with a forced air cooling method, over 6000 cycle times at 80% DOD, 25%. We offer a warranty of ...

[Get Price](#)

Complete Hybrid Solar System 12kW 16kW 20kW with Energy Storage

Complete Hybrid Solar System 12kW
16kW 20kW with Energy Storage, Find
Details and Price about Hybrid Solar
System Energy Storage System from
Complete Hybrid ...

[Get Price](#)



**2MW / 5MWh
Customizable**

Contact Us

For catalog requests, pricing, or partnerships, please visit:
<https://www.eqacc.co.za>