

EQACC SOLAR

Battery cabinet positive and negative pole classification base station



Overview

What are the positive and negative terminals of a battery?

The positive side of a battery is where the electrical current flows out, while the negative side is where the current flows in. These sides are commonly referred to as the positive and negative terminals respectively. How can I identify the positive and negative terminals of a battery?

.

What is a negative pole in a battery?

Poles: In a battery, the negative side is commonly referred to as the cathode or the negative pole. It is the end of the battery where electrical current flows out. The negative pole is often the larger terminal and can be identified by its negative symbol or a minus (-) sign.

What is a positive terminal on a car battery?

Positive Terminal (+): Usually red, connected to the starter and electrical system. Negative Terminal (-): Usually black, connected to the vehicle's chassis (ground). Proper identification is crucial for safe battery connection and jump-starting. Part 5. Types of battery posts A battery post is the protruding metal part of the battery.

How do you know if a battery pole is positive or negative?

The positive terminal is often marked with a plus symbol (+), while the negative terminal is marked with a minus symbol (-). This marking helps differentiate the two poles and ensures proper connection. Another way to identify the battery poles is by examining the physical appearance of the terminals.

Battery cabinet positive and negative pole classification base station



Battery Posts and Terminals Guide: Types, Materials

Comprehensive guide to battery posts & terminals: Learn types, materials, corrosion prevention & replacement techniques. Expert maintenance tips for optimal battery performance.

[Get Price](#)

Battery Posts and Terminals Guide: Types, ...

Comprehensive guide to battery posts & terminals: Learn types, materials, corrosion prevention & replacement techniques. Expert ...



[Get Price](#)



Battery module positive and negative pole detection ...

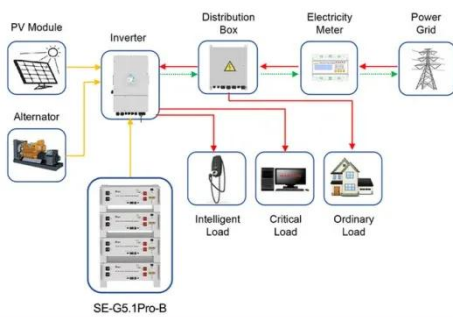
The automatic detection method mainly bases on CCD image detection technology of machine vision, as the existing patent discloses a lithium battery pole piece surface defect on-line ...

[Get Price](#)

Battery Positive and Negative Side: Explained and How to ...

When it comes to understanding a battery, it is important to distinguish between its positive and negative sides. These terminals play a crucial role in the functioning of the battery ...

[Get Price](#)



Application scenarios of energy storage battery products

The Ultimate Guide to Battery Posts and Battery Terminals

Learn all about battery posts and terminals--types, materials, maintenance tips, and troubleshooting for reliable battery performance.

[Get Price](#)

Battery cabinet positive and negative pole classification base station

Which terminal is positive and negative on a battery? Find out which terminal or end of the battery corresponds to the positive and negative poles and which side to connect devices or cables to.

[Get Price](#)



Battery Terminals and Posts: Types, Maintenance, Cleaning

Explore battery terminal types, maintenance tips, and troubleshooting.

- LiFePO₄
- Wide temp: -20°C to 55°C
- Easy to expand
- Floor mount&wall mount
- Intelligent BMS
- Cycle Life:≥6000
- Warranty :10 years



Learn how to clean corrosion, identify positive/negative terminals, and prevent issues.

[Get Price](#)

Positive and Negative Battery - 5 Key Differences Explained ...

A positive pole or anode and a negative pole which is called the cathode always exist in every battery. These two poles work together to generate an electric current that ...



[Get Price](#)



Understanding and Connecting Your Car ...

The symphony of car battery terminals often incorporates color-coding, a visual cue to distinguish between positive and negative ...

[Get Price](#)

Base station transmission cabinet battery

The base station power cabinet is a key equipment ensuring continuous power supply to base station devices, with

LLVD (Load Low Voltage Disconnect) and BLVD (Battery ...

[Get Price](#)



Ultimate Guide to Battery Posts and ...

How to Clean Battery Terminals?
Maintaining clean battery terminals helps ensure good electrical connections and better overall ...

[Get Price](#)

Ultimate Guide to Battery Posts and Terminals for Beginners

How to Clean Battery Terminals?
Maintaining clean battery terminals helps ensure good electrical connections and better overall performance. Follow these steps to clean ...

[Get Price](#)



Battery Terminals and Posts: Types, ...

Explore battery terminal types, maintenance tips, and troubleshooting.

Learn how to clean corrosion, identify positive/negative ...

[Get Price](#)



Understanding and Connecting Your Car Battery: Positive and Negative

The symphony of car battery terminals often incorporates color-coding, a visual cue to distinguish between positive and negative poles. The robust positive terminal wears a red ...

[Get Price](#)



Contact Us

For catalog requests, pricing, or partnerships, please visit:
<https://www.eqacc.co.za>