

**EQACC SOLAR**

# **60kW Mobile Energy Storage Container Distributor**



## Overview

---

What is a residential energy storage system?

Our residential energy storage systems allow homeowners to store the energy produced by their solar panels during the day and use it at night or during periods of low sunlight. With our energy storage systems, residents can reduce their dependence on the grid and enjoy greater energy independence.

What is industrial microgrid energy storage?

**Industrial Microgrid Energy Storage - Increasing Self-Sufficiency and Reliability**  
Industrial microgrids function as independent mini power generation and distribution systems capable of self-sufficiency. C&I ESS stabilizes intermittent renewable sources, ensuring stable microgrid operation.

What is commercial complex energy storage?

**Commercial Complex Energy Storage - Enhancing Customer Experience and Sustainability**  
Commercial complexes encompass shopping malls, office buildings, and hotels, each with diverse energy requirements. C&I ESS can be tailored to meet these varied needs, ensuring precise energy dispatch and high-efficiency usage.

What types of energy storage solutions do you offer?

We offer commercial and industrial energy storage system solutions. Our air-cooling and liquid-cooling ess cabinets are safe, all-in-one solutions that are easy to maintain. Designed to meet a variety of energy storage needs, click to learn more about how our energy storage solutions can benefit your business.

## 60kW Mobile Energy Storage Container Distributor

---



### **PFIC60K82P60 Foldable PV Container , 60kW/82kWh Solar Storage...**

The PFIC60K82P60 is a compact all-in-one solar storage system integrating a 60kW power output, 82kWh energy storage capacity, and 60kWp high-efficiency foldable PV ...

[Get Price](#)

### **Elite Ess 60kw 114kwh LFP Industrial and Commercial Energy Storage ...**

Elite Ess 60kw 114kwh LFP Industrial and Commercial Energy Storage Air Cooled Container Battery Storage, multitude of Commercial Energy Storage System Battery factories, Industrial ...



[Get Price](#)

### **PFIC60K110P60 Foldable PV Container , 60kW/110kWh Solar Storage...**



The PFIC60K110P60 is a compact all-in-one solar storage system integrating a 60kW power output, 110kWh energy storage capacity, and 60kWp high-efficiency foldable PV ...

[Get Price](#)

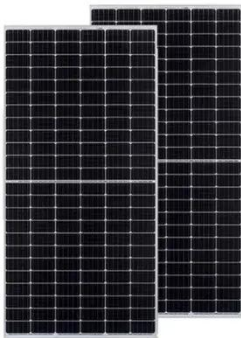
## Battery Cabinet Built-in AC Fire Protection 60kW ...

Battery Cabinet Built-in AC Fire Protection 60kW 80~120kWh 15-Year Lifespan 10000 Cycles Container Energy Storage Shanghai, China Manufacturer, Supplier, Supply, Based in ...



[Get Price](#)

---



## Commercial & Industrial Energy Storage Solutions

Enhance your commercial and industrial energy storage capabilities with our Burma 60kW PV cases. Our micro-grid solutions offer reliable and efficient power generation, ensuring ...

[Get Price](#)

---

## Leading Energy Storage System Integrator

Shanghai Gogreen Energy Co., Ltd. specializes in lithium-ion energy storage integration and offers comprehensive one-stop integrated services, including product sourcing, ...



[Get Price](#)

---

## Factory Direct Seller Products Energy Storage Container 60kw ...

Factory Direct Seller Products Energy



Storage Container 60kw Commercial Battery Hybrid Energy Storage System for Farm Hospital, Find Details and Price about 60kw ...

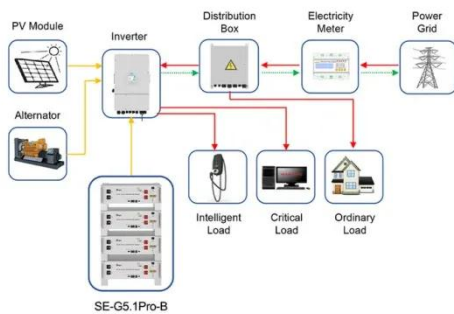
[Get Price](#)

APPLICATION SCENARIOS

**Portable energy storage container 60kw**

The portable energy storage container 60kw is a crucial component in the realm of renewable energy, specifically within energy storage systems. These containers are designed to store ...

[Get Price](#)



Application scenarios of energy storage battery products

**Energy Storage Container Factory, Manufacturers , MIDA**

Looking for high-quality energy storage containers? Shanghai Mida New Energy Co., Ltd. offers reliable and efficient solutions for all your energy storage needs

[Get Price](#)

**Factory Direct Seller Products Energy Storage ...**

Factory Direct Seller Products Energy Storage Container 60kw Commercial Battery Hybrid Energy Storage System

for Farm ...

[Get Price](#)



---

## Contact Us

For catalog requests, pricing, or partnerships, please visit:  
<https://www.eqacc.co.za>